

/// HIGH CAPACITY SHEAR WEB PRECISION (SWP) SERIES LOAD CELLS

FEATURES

- High Accuracy at High Capacity
- Low Height
- Low Guaranteed Maximum Off-Center Load and Moment Error
- Low Creep
- Low Susceptibility to Magnetic Fields
- Temperature Compensated
- Barometric Pressure Compensation
- 5pt Tension & Compression Calibration
- Proprietary Modulus Compensated Strain Gages



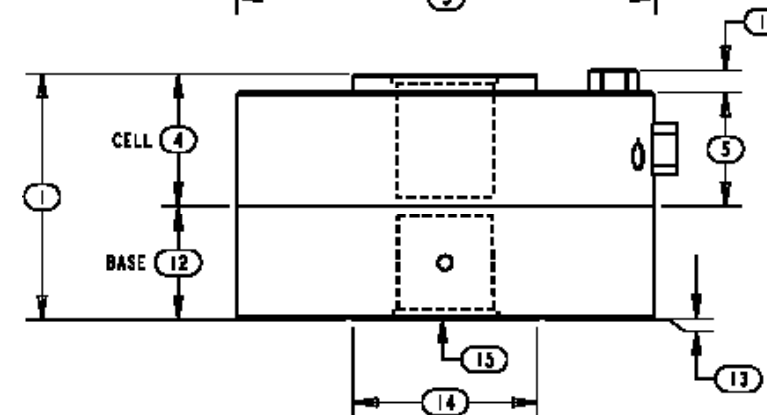
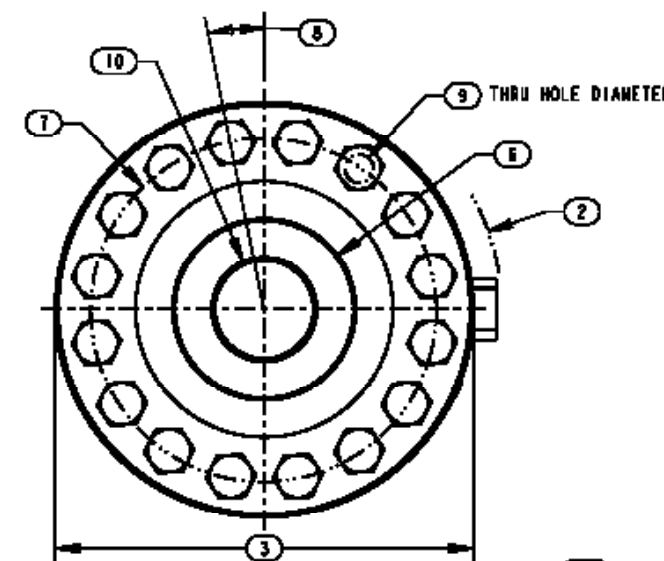
SPECIFICATIONS

Model	SWP40	SWP42	SWP45	SWP62	SWP80
Capacity U.S. lbf.	200K	270K	300K, 400K	500K, 600K	750K, 1000K
PARAMETERS Metric kN	1000	1200	1400, 1800	2200, 2700	3300, 4500
ACCURACY					
Static Error Band, % Rated Output	+/-0.050	+/-0.060	+/-0.100	+/-0.100	+/-0.120
Nonlinearity, % Rated Output	+/-0.050	+/-0.060	+/-0.100	+/-0.100	+/-0.120
Hysteresis, % Rated Output	+/-0.050	+/-0.060	+/-0.100	+/-0.100	+/-0.120
Nonrepeatability, % Rated Output	+/-0.010	+/-0.010	+/-0.010	+/-0.010	+/-0.010
Creep, % in 20 minutes	+/-0.025	+/-0.025	+/-0.025	+/-0.025	+/-0.025
Off-Center Load Sensitivity, %/inch	+/-0.100	+/-0.100	+/-0.200	+/-0.200	+/-0.200
Side Load Sensitivity, %	+/-0.100	+/-0.100	+/-0.200	+/-0.200	+/-0.200
Zero Balance, % Rated Output	+/-1.0	+/-1.0	+/-1.0	+/-1.0	+/-1.0
TEMPERATURE					
Range, Compensated, °F	+15 to +115	+15 to +115	+15 to +115	+15 to +115	+15 to +115
Range, Compensated, °C	-10 to +45	-10 to +45	-10 to +45	-10 to +45	-10 to +45
Range, Operating, °F	-65 to +200	-65 to +200	-65 to +200	-65 to +200	-65 to +200
Range, Operating, °C	-55 to +90	-55 to +90	-55 to +90	-55 to +90	-55 to +90
Effect on Sensitivity, % Rdg/ °F	+/-0.0008	+/-0.0008	+/-0.0008	+/-0.0008	+/-0.0008
Effect on Sensitivity, % Rdg/ °C	+/-0.0015	+/-0.0015	+/-0.0015	+/-0.0015	+/-0.0015
Effect on Zero, % Rated Output/ °F	+/-0.0008	+/-0.0008	+/-0.0008	+/-0.0008	+/-0.0008
Effect on Zero, % Rated Output/ °C	+/-0.0015	+/-0.0015	+/-0.0015	+/-0.0015	+/-0.0015
ELECTRICAL					
Rated Output, mV/V, Nominal	4	4	4	4	4
Excitation Voltage, VDC Maximum	20	20	20	20	20
Input Resistance, Ohms	350	350	350	350	350
Output Resistance, Ohms	350	350	350	350	350
Insulation Resistance, Megohm	5000	5000	5000	5000	5000
Bayonet Connector	PT02E-10-6P (MS3112E-10-6P) Included Protector				
MECHANICAL					
Safe Overload Range, % Rated Capacity	+/-150	+/-150	+/-150	+/-150	+/-150
Weight lb	74	84	120	245	450
Weight kg	34	38	54	111	204
Weight w/base lb	146	156	250	448	1050
Weight w/base kg	66	71	113	203	476
Flexure Material	Steel	Steel	Steel	Steel	Steel

/// HIGH CAPACITY SHEAR WEB PRECISION (SWP) SERIES LOAD CELLS

DIMENSIONS

Model	SWP40	SWP40M	SWP42	SWP42M	SWP45 300K, 400K lbf	SWP45M 1400, 1800 kN	SWP62 500K, 600K lbf	SWP62M 2200, 2700 kN	SWP80 750K, 1000 lbf	SWP80M 3300, 4500 kN
Capacity	200K lbf	1000 kN	270K lbf	1200 kN	300K, 400K lbf	1400, 1800 kN	500K, 600K lbf	2200, 2700 kN	750K, 1000 lbf	3300, 4500 kN
Dimensions	inch	mm	inch	mm	inch	mm	inch	mm	inch	mm
1.	6.50	165.1	8.00	203.2	8.75	222.3	10.25	260.4	13.00	330.2
2.	R 6.16	R 156.5	R 6.16	R 156.5	R 6.78	R 172.2	R 8.65	R 219.7	R 10.89	R 276.6
3.	11.00	279.4	11.00	279.4	12.25	311.2	16.00	406.4	20.50	520.7
4.	3.50	88.9	4.00	101.6	4.50	114.3	5.25	133.3	6.50	165.1
5.	3.00	76.2	3.50	88.9	4.25	108.0	4.75	120.6	6.25	158.7
6.	4.81	122.2	4.81	122.2	6.13	155.7	7.89	200.4	9.86	250.4
7.	9.00	228.6	9.00	228.6	10.11	256.9	13.06	331.6	16.50	419.1
8.	11.25°	11.25°	11.25°	11.25°	9.0°	9.0°	9.0°	9.0°	6.4°	6.4°
9.	.78 16 Places	19.8 16 Places	.78 16 Places	19.8 16 Places	.78 20 Places	19.8 20 Places	1.18 20 Places	30.0 20 Places	1.06 28 Places	26.9 28 Places
10.	2 3/4- 8 3.2 Deep	M72 x 2 81.3 Deep	2 3/4- 8 3.7 Deep	M72 x 2 94.0 Deep	3-12 4.00 Deep	M76 x 2 101.6 Deep	4- 8 4.75 Deep	M100 x 3 120.6 Deep	6- 8 5.4 Deep	M150 x 3 137.1 Deep
11.	0.60	15.2	0.60	15.2	0.60	15.2	0.92	23.4	.77	19.5
12.	3.00	76.2	4.00	101.6	4.25	108.0	5.00	127.0	6.50	165.1
13.	0.03	0.8	0.03	0.8	0.03	0.8	0.03	0.8	0.03	0.8
14.	4.83	122.7	4.83	122.7	5.70	144.8	7.89	200.4	10.00	254.0
15.	2 3/4- 8 2.70 Deep	M72 x 2 68.6 Deep	2 3/4- 8 3.70 Deep	M72 x 2 94.0 Deep	3-12 3.90 Deep	M76 x 2 99.1 Deep	4- 8 4.65 Deep	M100 x 3 118.1 Deep	6- 8 5.4 Deep	M150 x 3 137.1 Deep



OPTIONS

- Additional bridges
- Output adjustment to standard
- Compression overload protection
- Integral cable
- Custom connectors
- Connector Protectors
- Base

ACCESSORIES

- Mating connector
- Loading fixtures
- Interconnect cable
- Shunt calibration resistor
- Instrumentation